

ISOLA
DECORATIVE PADDLE BOX
INSTRUCTIONS MANUAL



MODEL

Dear Customer,

**We are sure that you will be highly pleased to have purchased this unique product.
This unit has been produced under CE and in accordance with European norms.
To get the best performance from this unit and to avoid any accident, please read
this instructions manual carefully.**

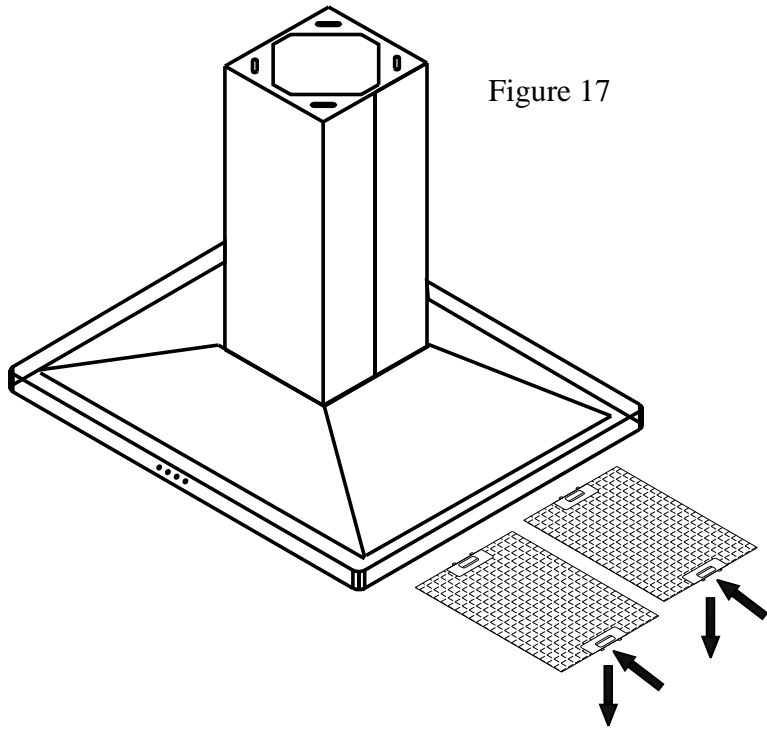
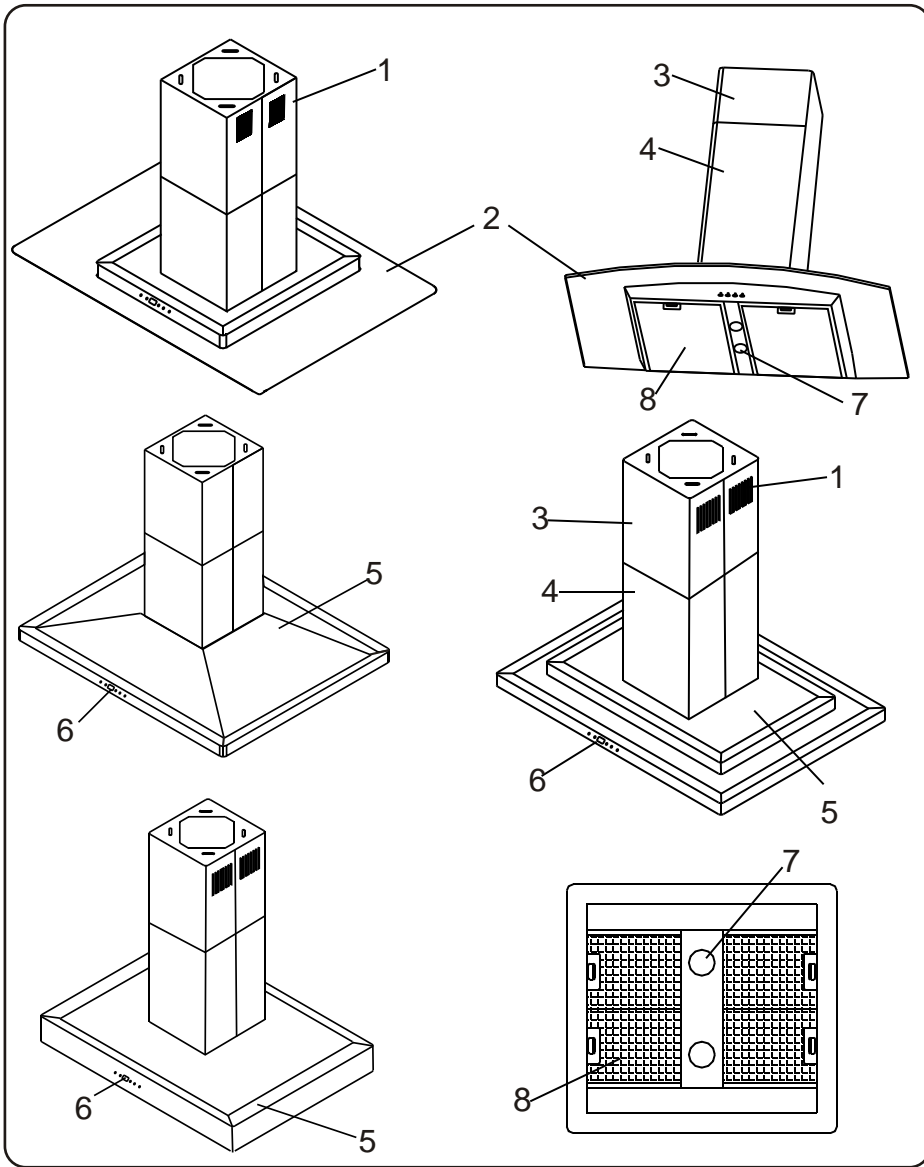


Figure 17

TABLE OF CONTENTS

Preface.....	2
Introduction.....	4
Warnings and Safety Measures.....	5
Using.....	6-8
Troubleshooting.....	9
Technical Specifications.....	10
Installation.....	11-30
Terms of Warranty.....	31
Certificate of Warranty.....	32



- 1- Air Outlet Opening
- 2- Glass
- 3- Internal Chimney
- 4- External Chimney

- 5- Body
- 6- Command Panel
- 7- Halogen Lamp
- 8- Cassette Filter

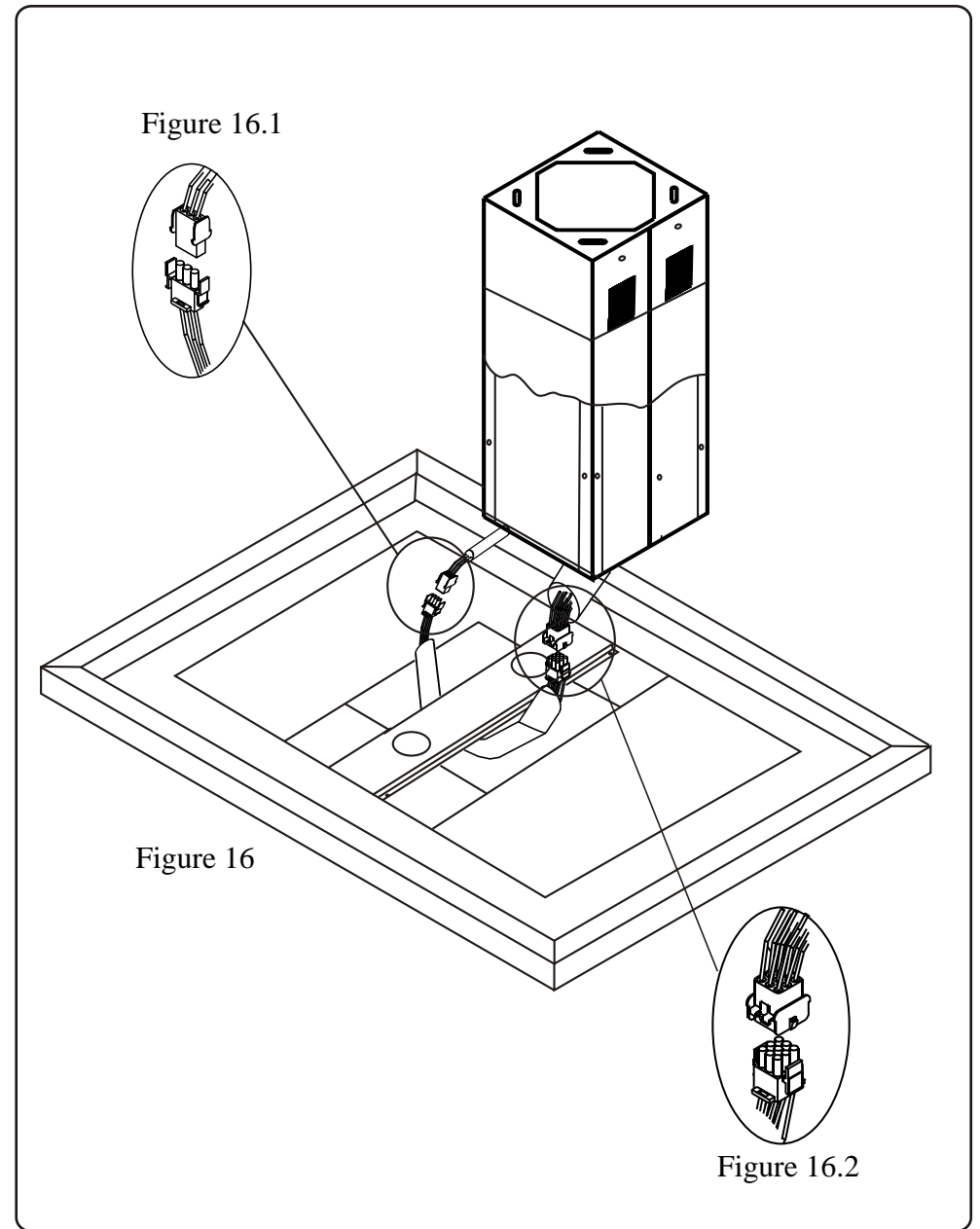


Figure 16.1

Figure 16

Figure 16.2

Figure 15

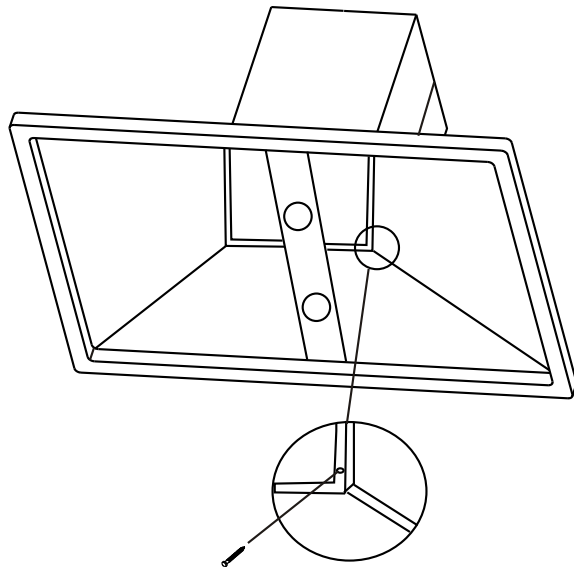


Figure 15.1


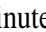
WARNINGS AND SAFETY MEASURES

- All electrical installations should be made by a qualified electrician. Installation by unauthorized individuals may cause any damage to product, operation at low performance and accidents.
- Power supply cable should not be subjected to any squeezing and crushing during installation.
- Kitchen exhaust fans have been designed for household use for regular cooking. Using the unit for other purposes may cause risk of accident and should be considered as out of warranty.
- Please observe rules and directives of competent authorities with regard to discharging outlet air (This warning shall not apply to uses without chimneys).
- The unit contains a power supply cord with earthed plug. This cord must be connected with an earthed plug.
- In case of any danger, please ensure that plug is easily accessible to unplug in order to disconnect the power of product.
- Foods that catch fire must not be cooked under the unit.
- Please do not leave oil in heat on the oven. Containers with oil in heat may cause self- Ignition.
- Please be sure to change the filters on time. Filters that are not changed on time pose risk of fire due to accumulated oil on filters.
- Do not use non-heat resistant filtering materials in place of filter supplied.
- In case any flaming starts, cut the power of exhaust fan and cooking devices. Cover the flame. Never use water.
- Cut the power of unit before maintenance signs (To cut the power, unplug the unit).
- **For your personal safety, use “MAX 6 A” fuse for exhaust fan installation.**

USING

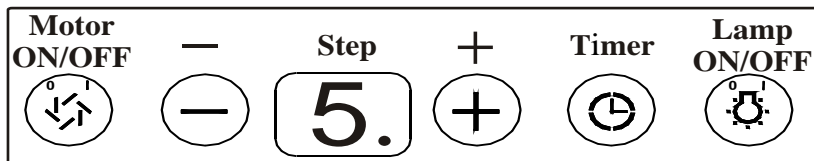
Unstitch folio papers on the unit for inox models after installation.

Selecting the Speed


The unit has 5 -step ventilation. Select one of ventilation steps from 1,2,3...to 5 according to cooking and frying steams. Pressing the command button  on front panel will start the motor and \oplus will increase the speed while \ominus will decrease the speed. Electronically controlled models are equipped with TIMER. If you press button  for longer than 2 seconds, timer function for 15 minutes will be activated. When timer starts, display will show a signal and motor will automatically stop after 15 minutes.

Please run the oven and the unit simultaneously to create air current so that inhaling power will be positively effected. After cooking operation, keep the unit running for a while so that remaining odor and steam will be absorbed.

TOUCH BUTTON POSITIONS

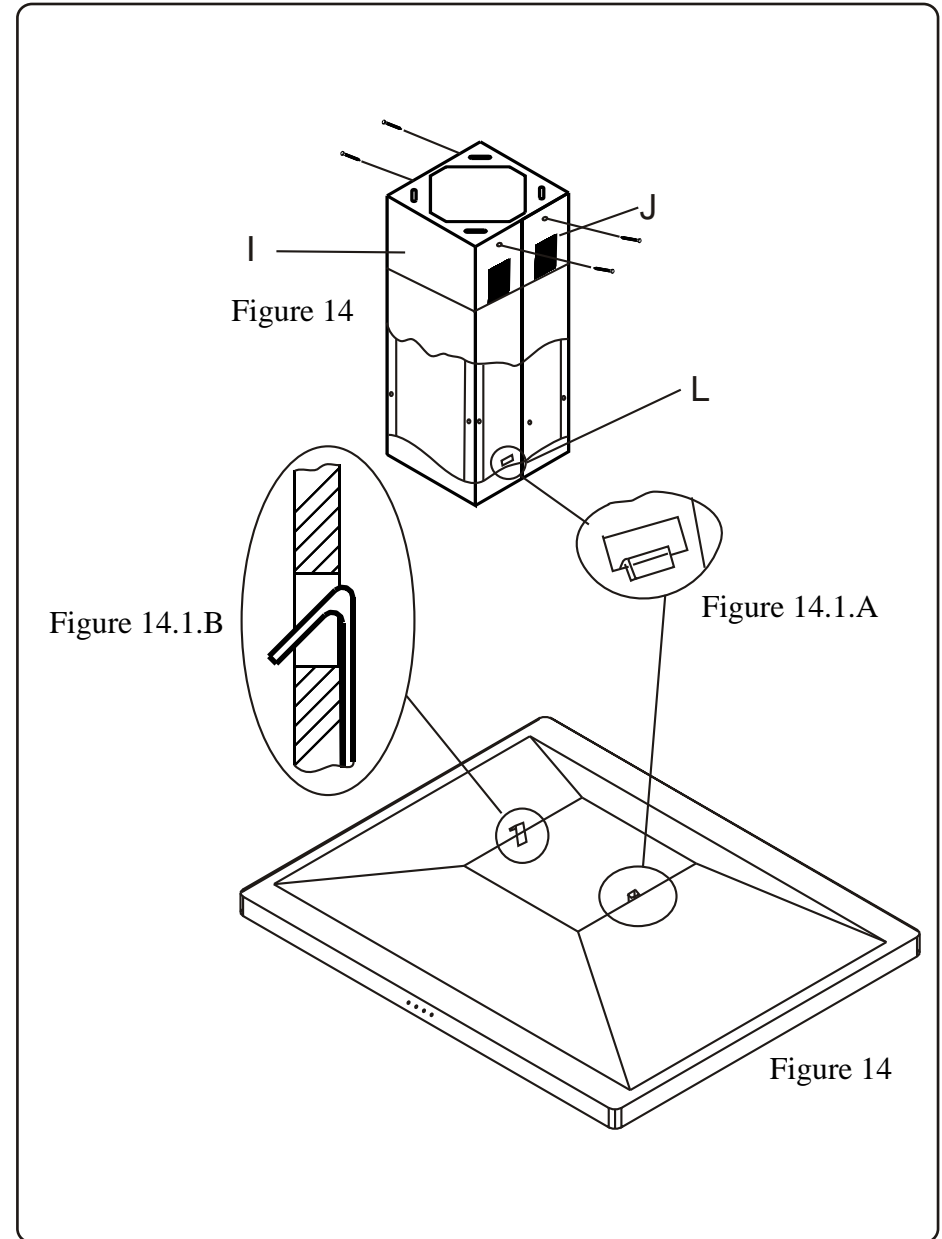


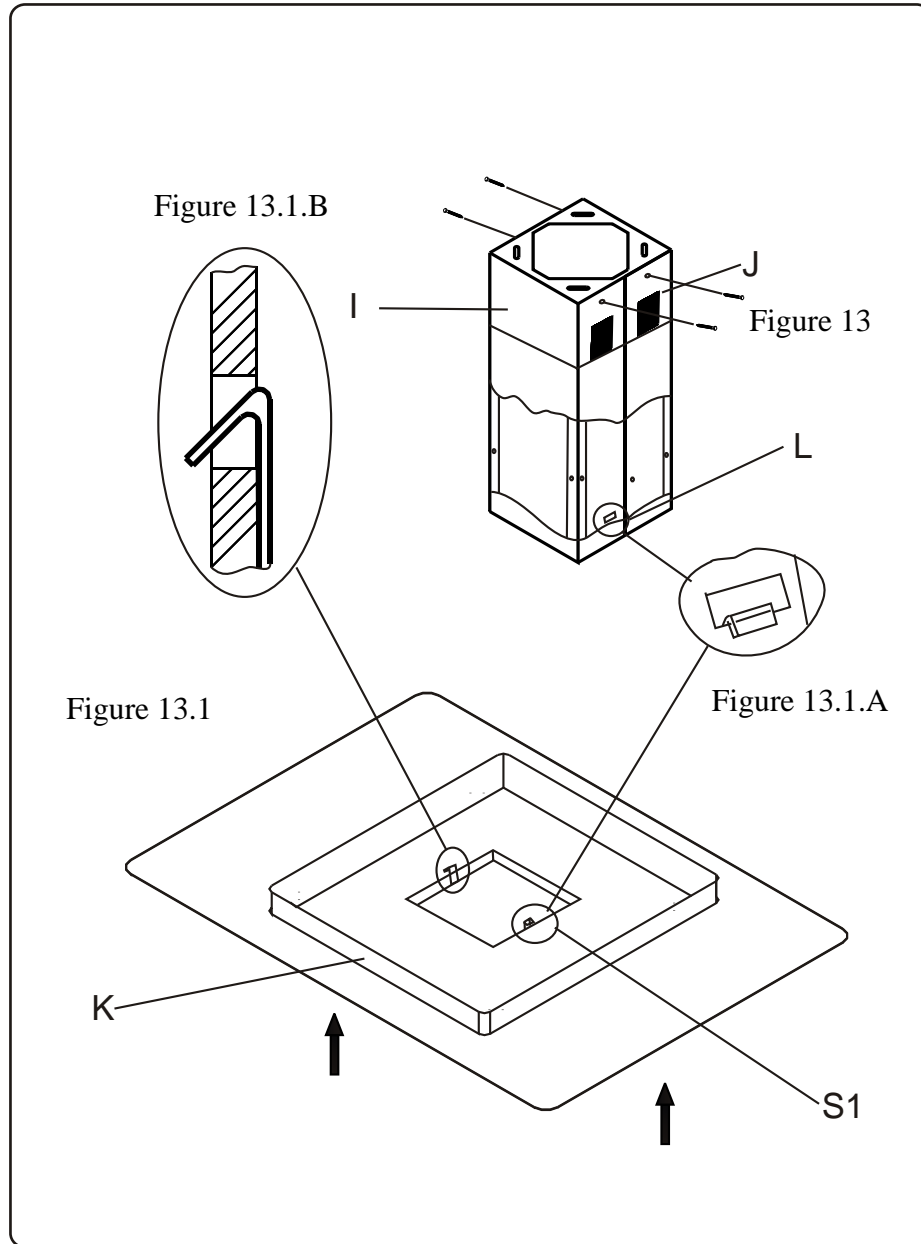
Lighting (Figure 4)

The unit has 2 pieces of lamps and a lamp button to control lighting. To start lighting, Push  button.


MAINTENANCE


Unplug the unit or switch off before maintenance and cleaning. Aluminum cassette filter holds the dusts in the air and oil and it should be washed with hot soapy water or if dishwasher (at 60°C). Remove aluminum cassette filter by pressing on spring clamps at the end side. After cleaning replace it without drying. Exterior surfaces of exhaust fan should be wiped through a cloth wet with soapy water or alcohol. For inox products, using inox cleaner and maintenance products sold domestically will deliver a longer life.





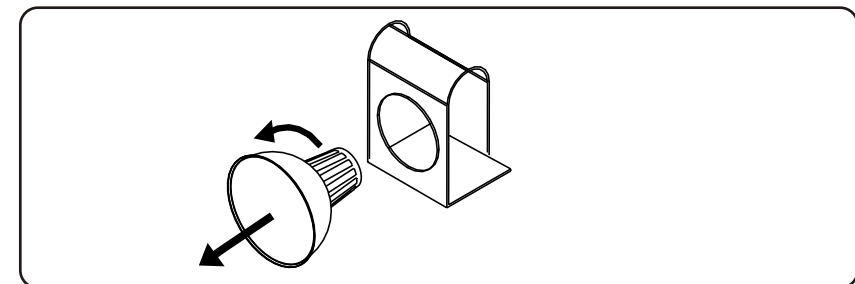
Cleaning Periods for Metal Filters:

Metal filters should be cleaned once in 2 -3 weeks whenever “C” signal is indicated on display or basing on the frequency of use. After cleaning and reassembling the filters, Push  button for longer than 3 seconds to erase “C” signal. Display will show the letter “E” and normal operation will begin.

If you want to keep on operating without erasing “C” signal, active period will be shown for 1 second when you press  buttons and then again “C” signal will be shown and motor will keep on running.

Replacing the Lamps

- Cut the power connection of exhaust fan.
- Remove aluminum cassette filter.
- Dismantle defective bulb and replace with a new bulb of same value.
- To replace halogen bulbs, push downwards on back of lamp socket and remove the lamp to the bottom side and turn slightly clockwise and remove downwards. Turn counter-clockwise while assembling.



Replacing Carbon Filter (Figure 5-6)

- Cut the power of exhaust fan before replacing the carbon filter.
- Carbon filter is used for kitchens without chimney outlets and therefore, it should be replaced once in every 3 -5 months basing on the frequency of use. 2 pieces of carbon filters should be used for the product. Never wash the carbon filter.
- To remove the carbon filter, turn counter-clockwise.

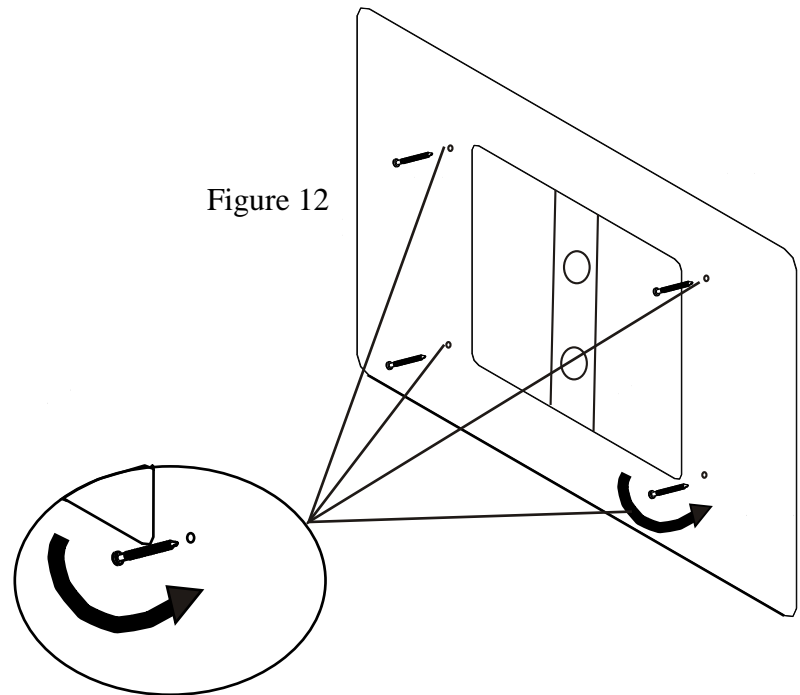
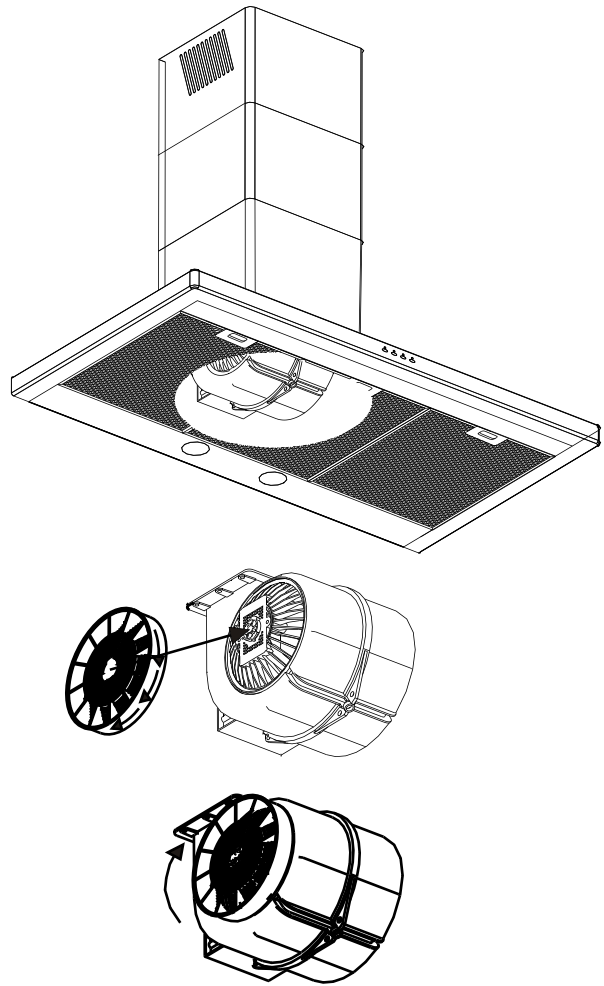
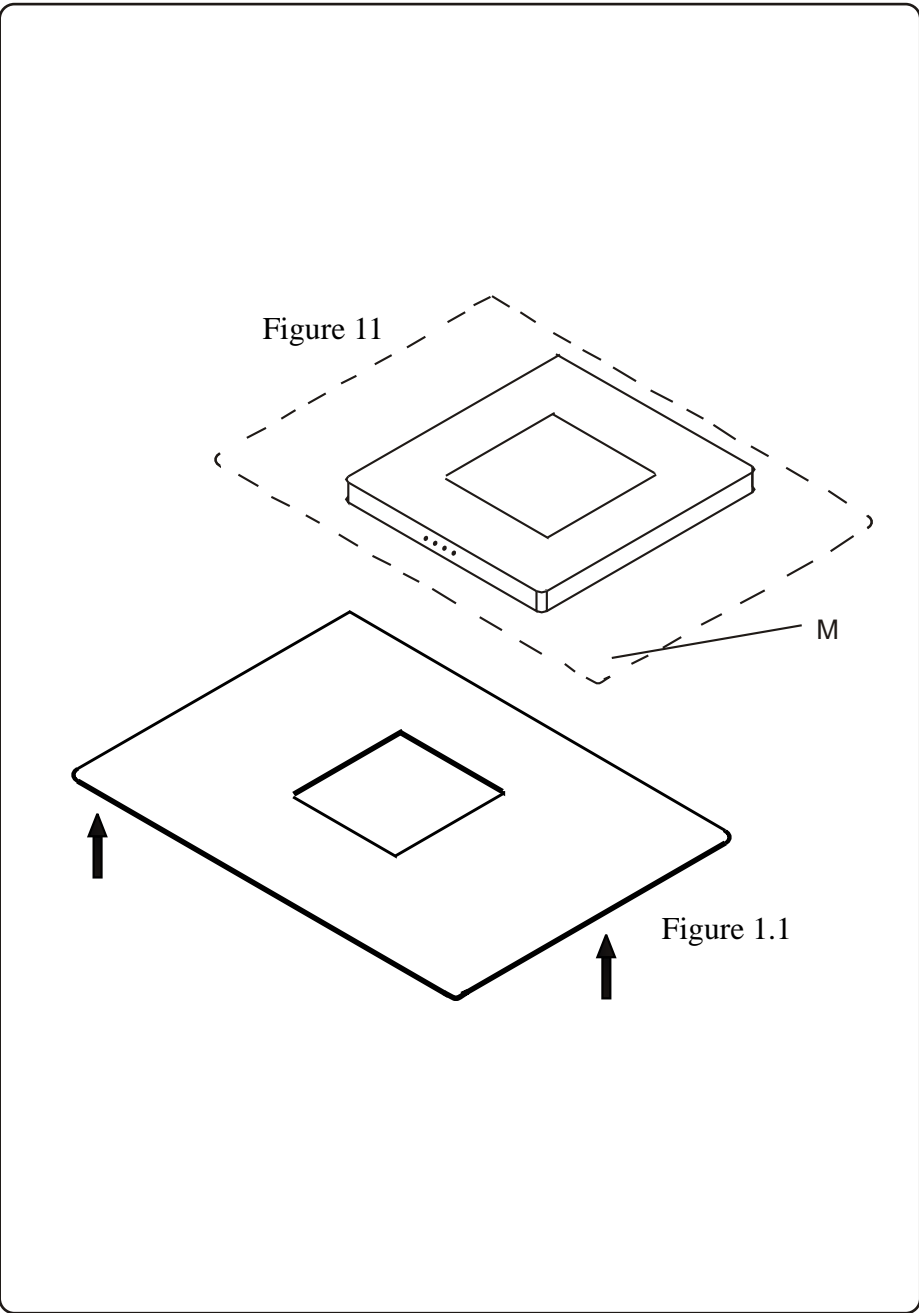


Figure 12

Figure 12.1



6. TROUBLESHOOTING

	Check electrical connection (see Safety introductions article 2) (Main voltage must be 220-240CV, exhaust fan must be connected to earthed plug)	Check motor switches (Motor switch must be on)	Check lamp switch (Lamp switch must be on)	Check aluminum filter (Aluminum cassette filter must be washed once a month under normal conditions)	Check bulbs (Bulbs must be sound)	Check air outlet chimney (Air outlet chimney must be on)	Check carbon filter (For models operated with carbon filter) (Carbon filter must be replaced once in 3 months under normal conditions)
Exhaust fan does not work	×	×					
Lighting lamp does not light on	×		×		×		
Air absorbance of exhaust fan is poor				×		×	×
Does not deliver air outside (for settings without chimney)				×			×

Table 1

**If exhaust fan is not working:
Before contacting with the service:**

Please be sure that the power cord is connected and electrical fuse in installation is sound. Do not make any operation that may damage the product. Before contacting the service, check the unit according to **Table 1**. If problem persists, contact your local dealer or an authorized service.

Service and Spare Parts:

You may supply spare parts for the unit from your local dealer or authorized service. A list of authorized services has been inserted into the packing with the product. When you contact with service or dealer, please advice the product number and model indicated on product label to request spare parts.

When you remove aluminum cassette filter, you will see the product label.

TECHNICAL SPECIFICATIONS

REFERENCE VALUES	POSITION	MODEL	
		DECORATIVE PADDLE BOX	
		800 m ³ /h	
VOLTAGE	(V)	220/230 AC	
FREQUENCY	(Hz)	50	
CURRENT	A	1	0,25
		2	0,30
		3	0,40
		4	0,60
		5	0,95
POWER	W	1	55
		2	77
		3	95
		4	135
		5	210
OUTPUT	m ³ /h	1	180
		2	210
		3	300
		4	500
		5	800
LAMP		2 x 50 W HALOGEN LAMP	
MOTOR INSULATION CLASS		H	
PROTECTION AGAINST TEMPERATURE		130 °C	
NUMBER OF MOTORS (PIECE)		1	
PROTECTION CLASS		1	

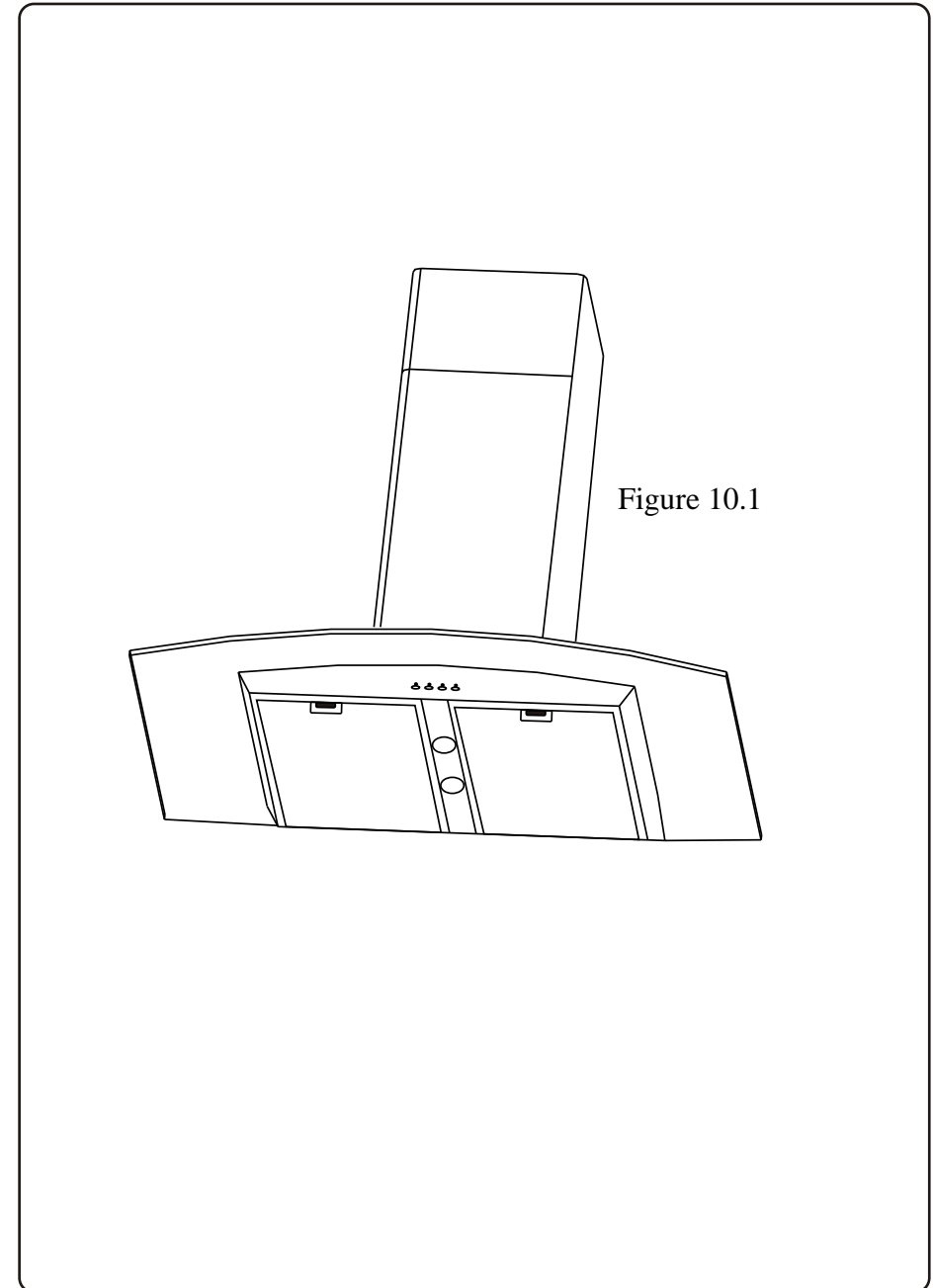


Figure 10.1

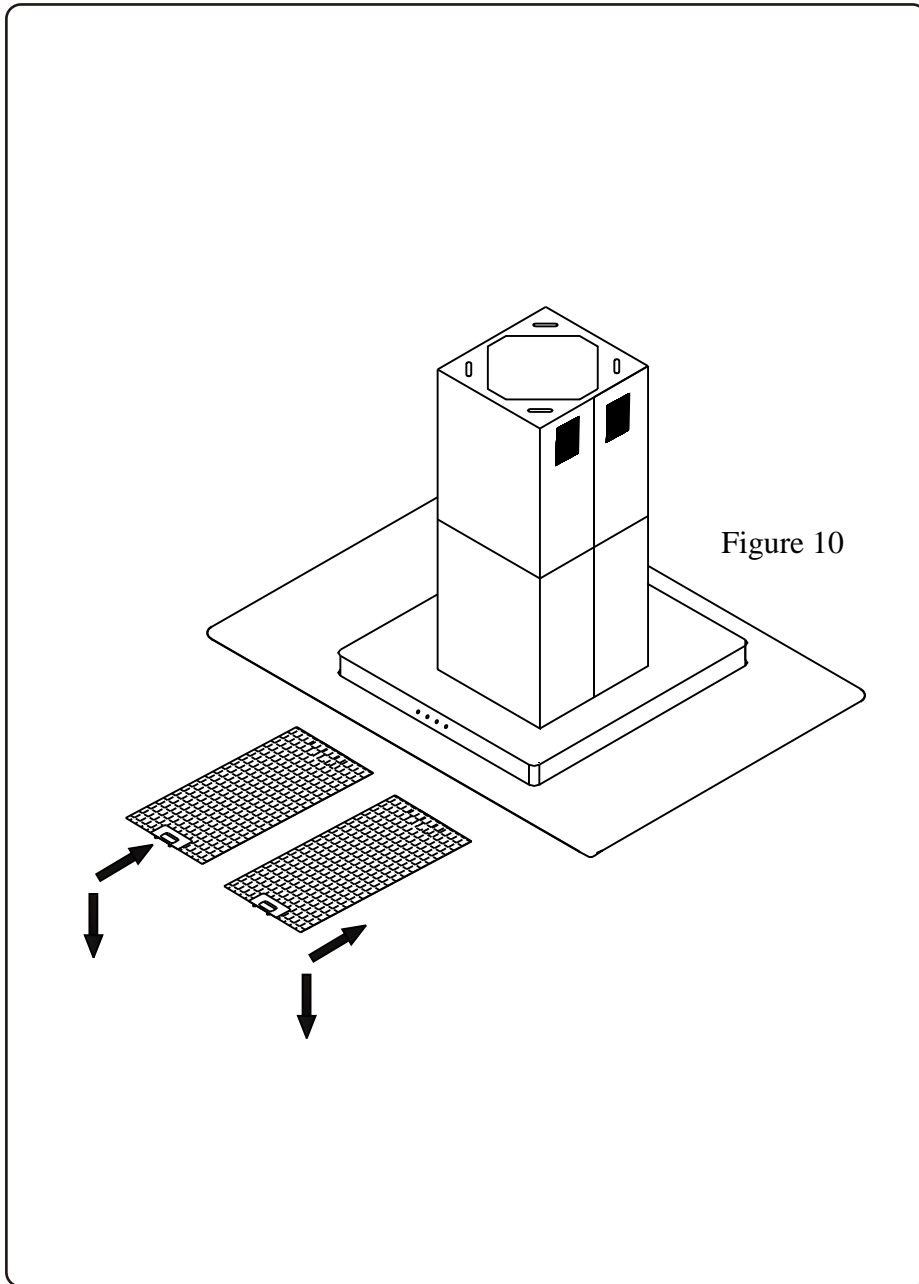
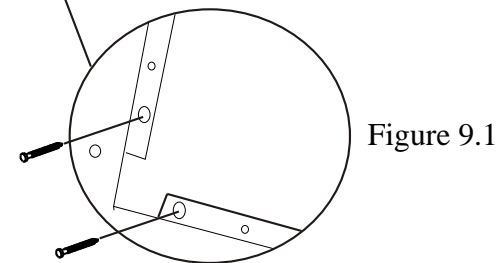
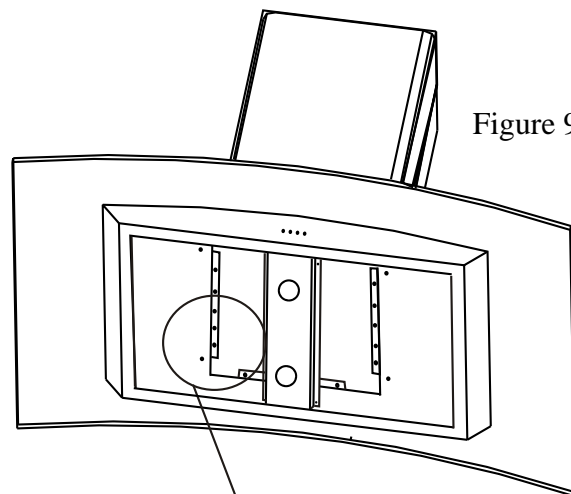
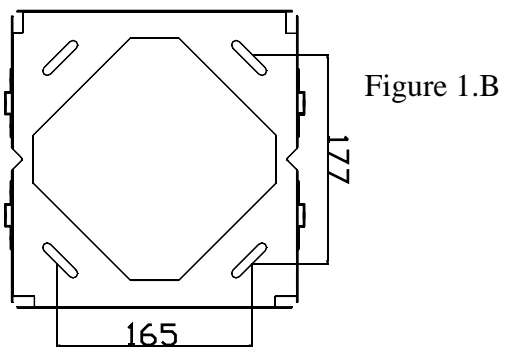
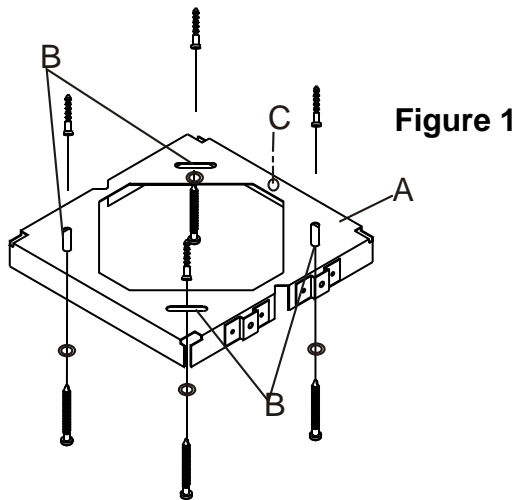
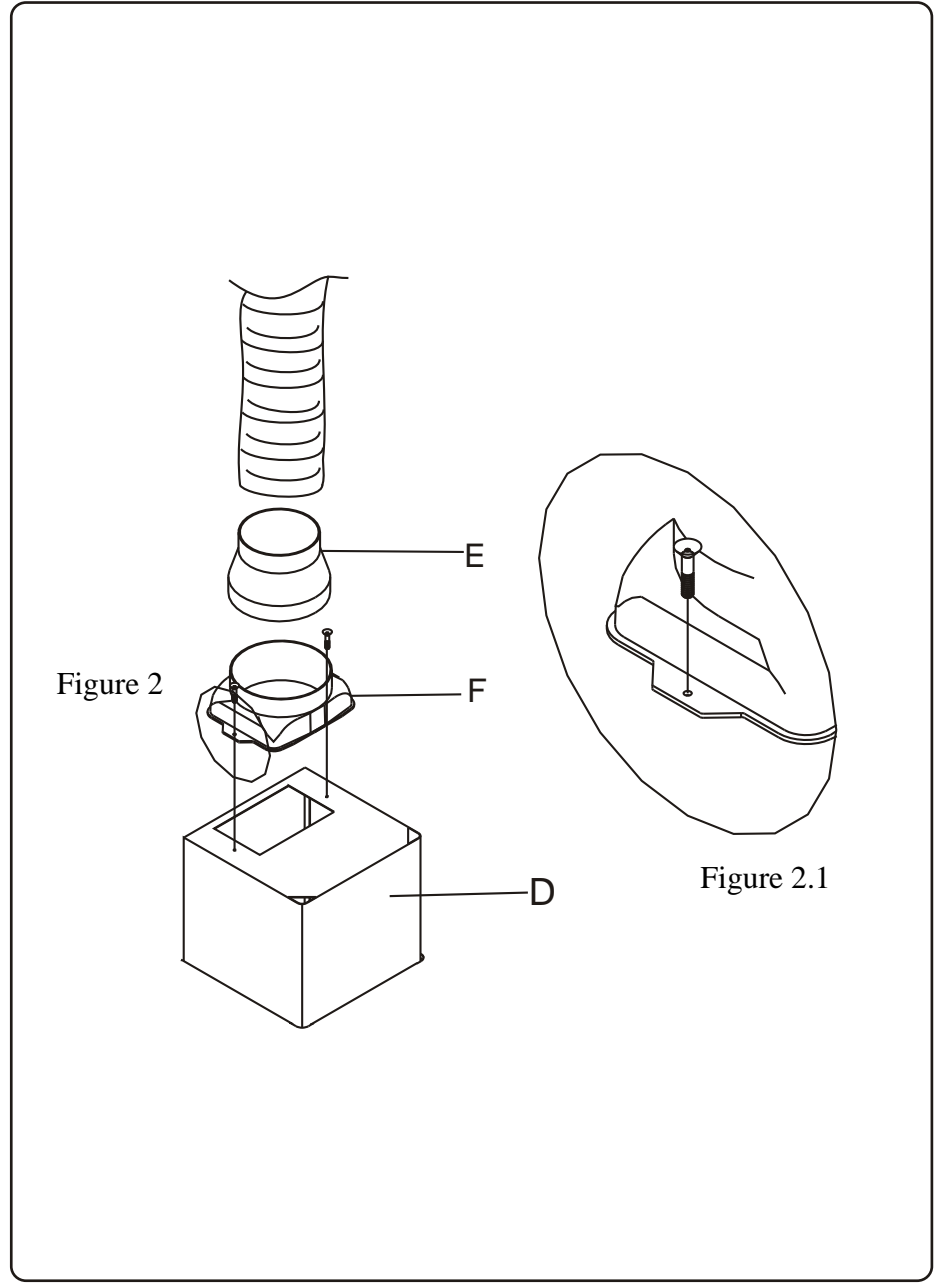
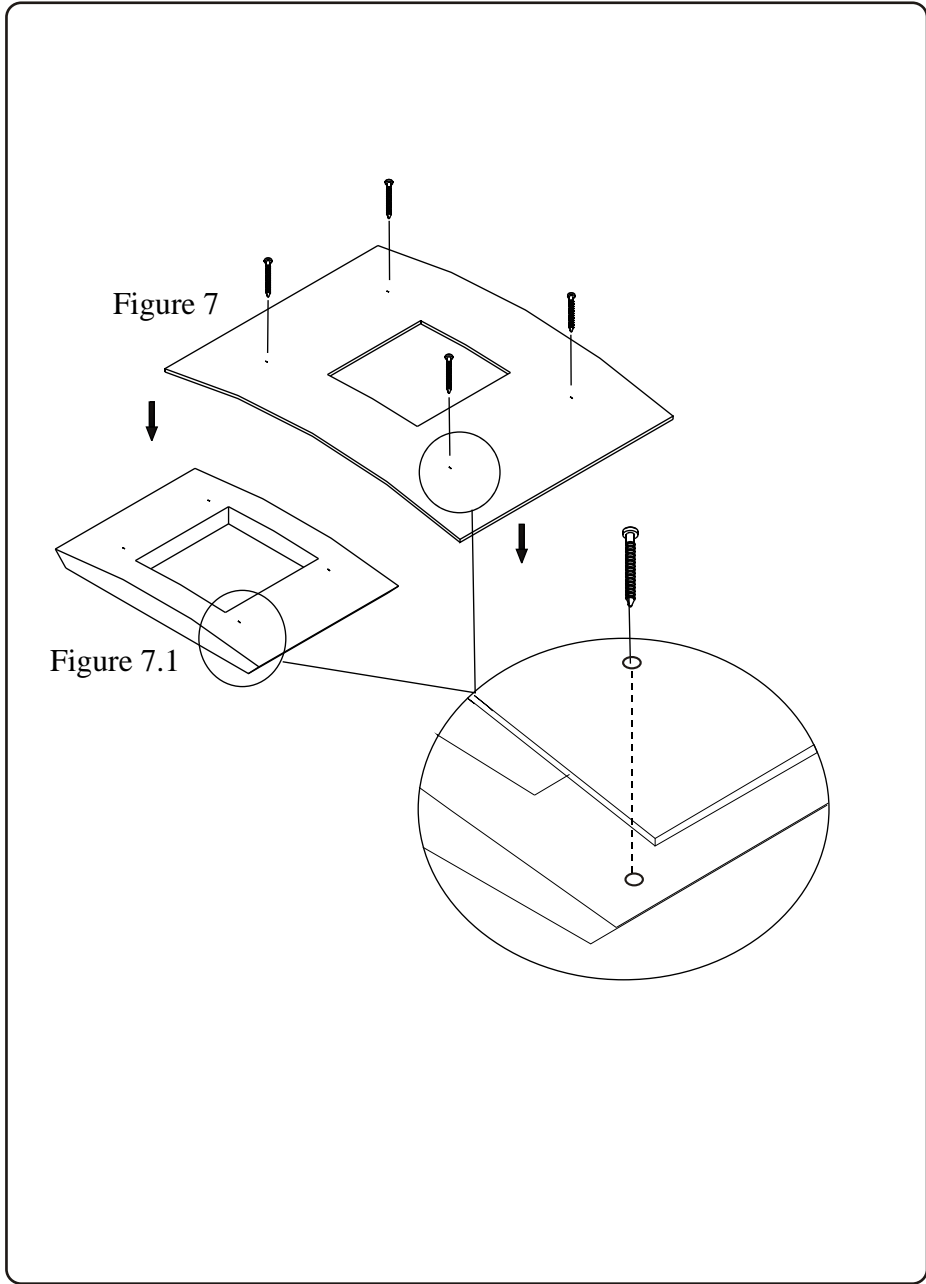


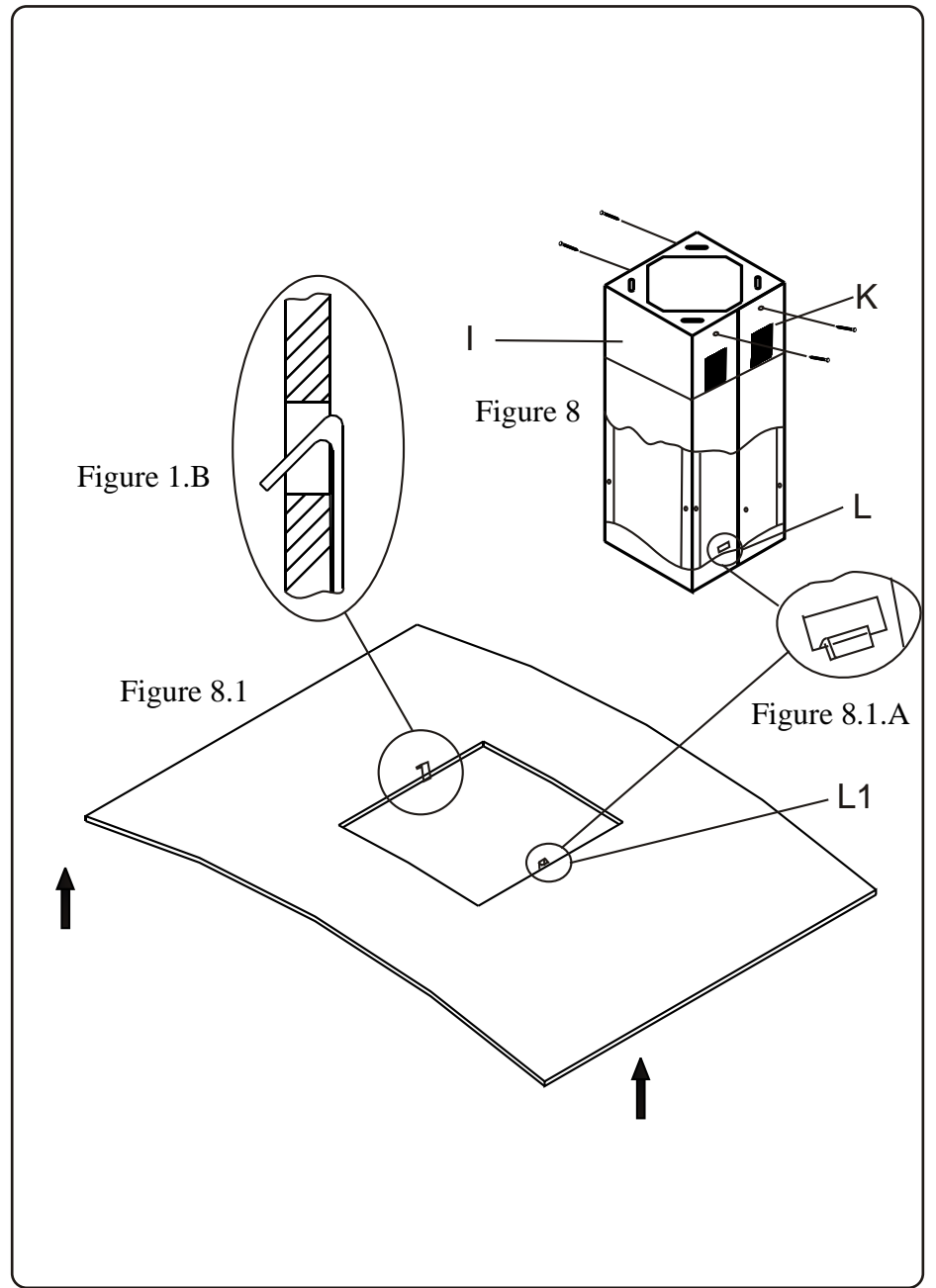
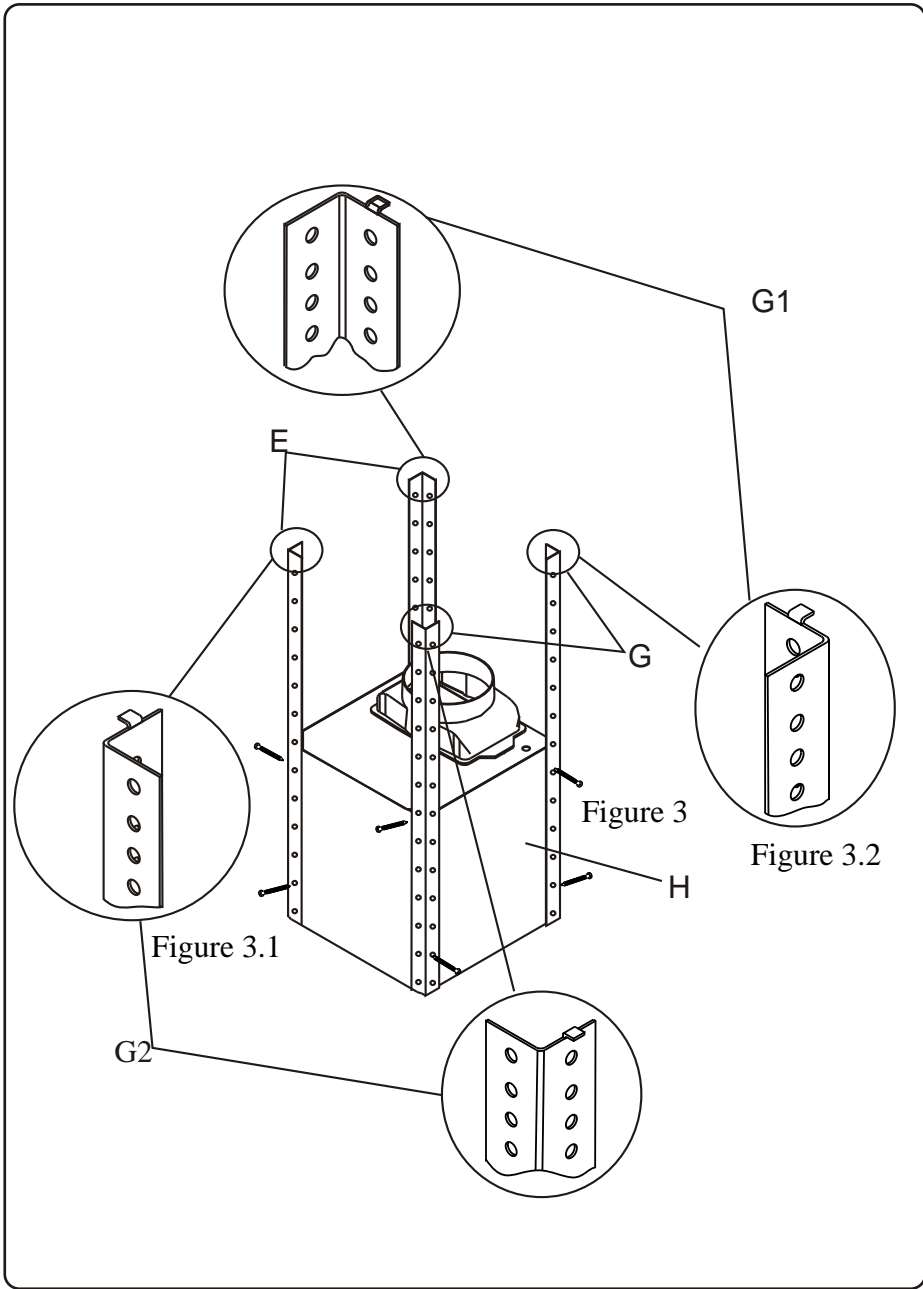
Figure 10

INSTALLING THE PADDLE BOX ON CEILING

- 1- Bore holes of 8 mm on the marked points and place inserts of 8 mm in to these holes. Fix ceiling installation sheet (A) with 4 pieces of screws (5,5 x 38) to the ceiling (Insert, screw and ceiling installation sheet are supplied with the unit).
- 2- Screw air outlet chimney (F) to the motor block (D) on both sides (Figure 2).
- 3- Screw 4 pieces of installation brackets (G) to the motor block (H). (Hanger bar twisting sides should be as shown in Figure 3). Paddle box is easily adjusted to any height thanks to installation brackets.
- 4- Pass external chimney (J) over internal chimney (I) (Abb.4).
- 5- Pass chimneys (I,J) over motor block (Abb. 4.1).
- 6- Attach ceiling installation sheet (A) (Figure 1) to G1 (Figure 5.1.A) and G2 (Figure 5.1.B) and screw to motor block on corners as shown in Figure 6.
- 7- For Sinus Isola: Screw the glass supplied with the unit to the panel (Figure 7).
- 8- For Multi Isola: Insert glass (M) into glass sheet (T) (Figure 12) in the lower section of panel and fix the glass by tightening the screws with plastic caps (P) (Abb12) placed in the inner section.
- 9- Affix hanger hook (L1) (Figure 8) into the L (Figure 8) hole on motor block.
- 10- Screw the panel to motor block (Figure 9.1).
- 11- Remove halogen lamps (Figure 16). Loosen 4 screws in the lighting sheet and remove lighting sheet (Abb.17).
- 12- Loosen the screws to remove split pin box (U) (Figure 18) cover and insert connectors to make 220V power cord and motor cord connections as shown in Abb.19.1 to electronic circuit inside.
- 13- Close split pin cover (Figure 20).
- 14- Replace lighting sheet and tighten the screws (Figure 21).
- 15- Assembly halogen lamps (Figure 22).
- 16- Connect filters (Figure 23).







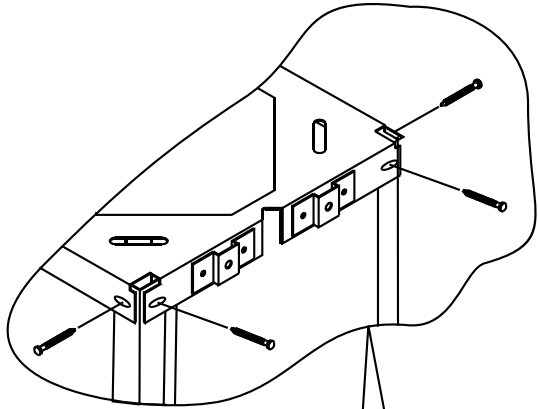


Figure 6.1

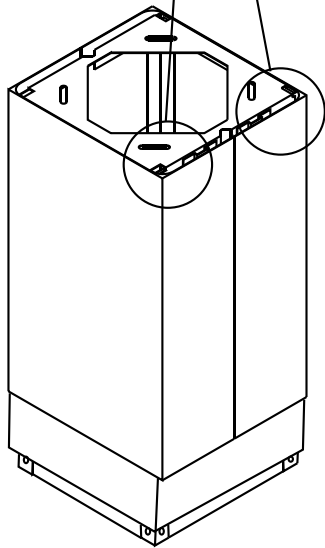


Figure 6

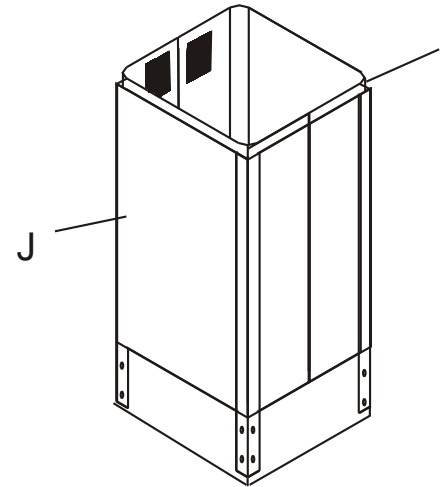


Figure 4.1

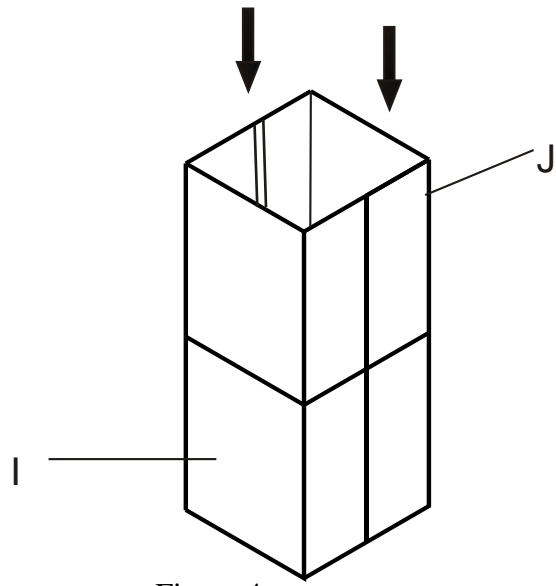


Figure 4

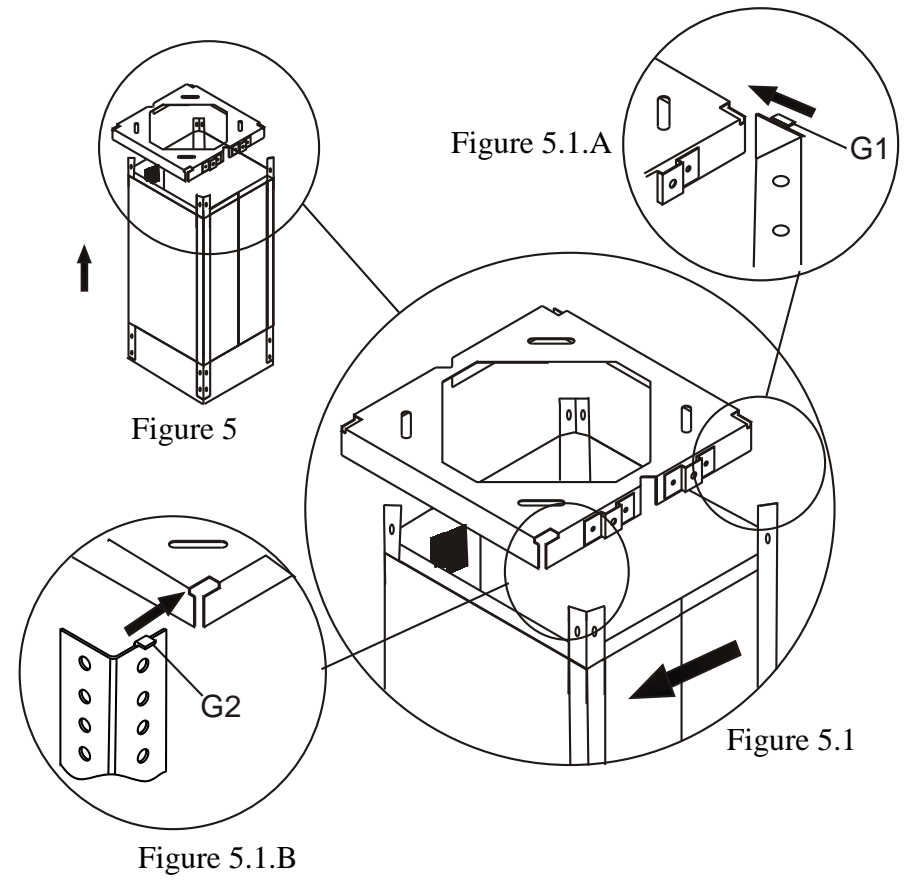


Figure 5

Figure 5.1.A

G1

G2

Figure 5.1.B

Figure 5.1