

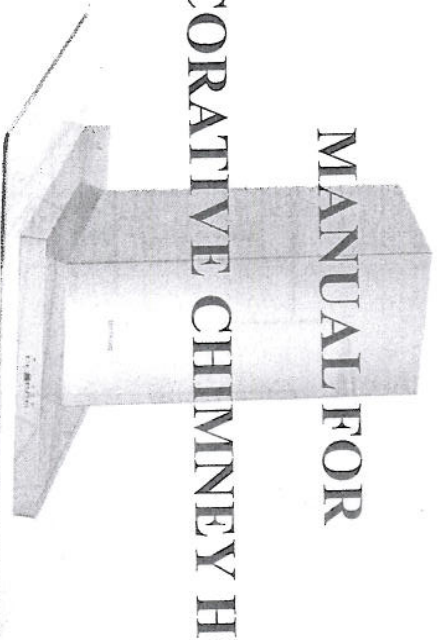
TECHNICAL SPECIFICATIONS

REFERENCE VALUES	POSITION	MODEL
		DECORATIVE PADDLE BOX 800 m ³ /h
VOLTAGE	(V)	220/230 AC
FREQUENCY	(Hz)	50
CURRENT	A	0,25
		0,30
		0,40
		0,60
		0,95
POWER	W	55
		77
		95
		135
		210
OUTPUT	m ³ /h	180
		210
		300
		500
		800
LAMP		2 x 20 W HALOGEN LAMP
MOTOR INSULATION CLASS		F
PROTECTION AGAINST TEMPERATURE		130 °C
NUMBER OF MOTORS (PIECE)		1
PROTECTION CLASS		1

INSTRUCTIONS

MANUAL FOR

DECORATIVE CHIMNEY HOOD



MODEL

Table 2

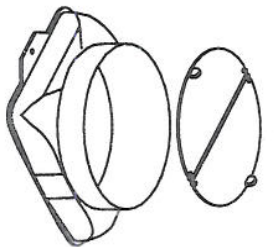


Figure 3

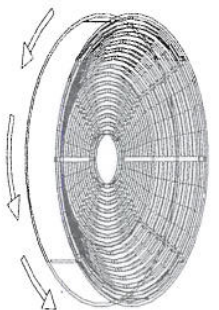


Figure 4

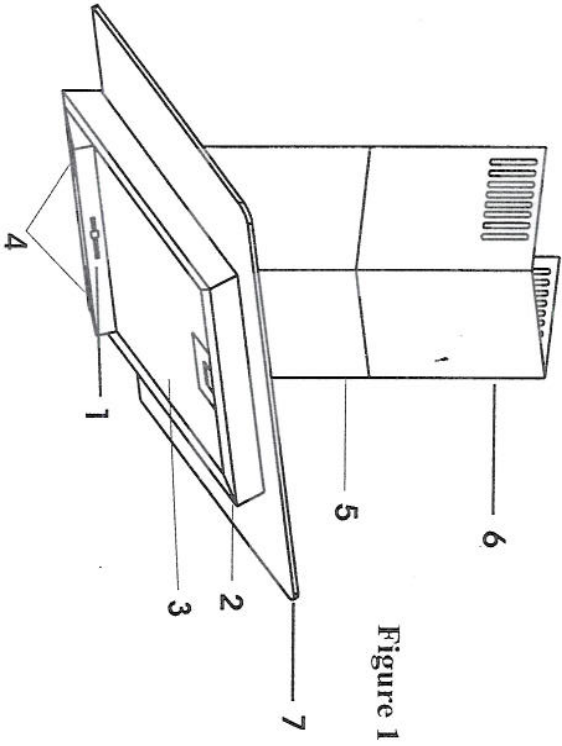
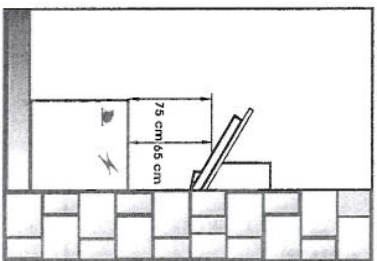
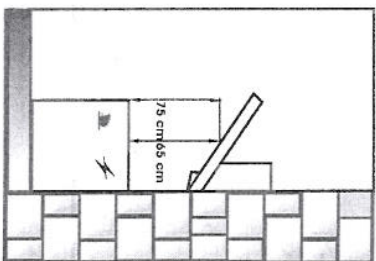


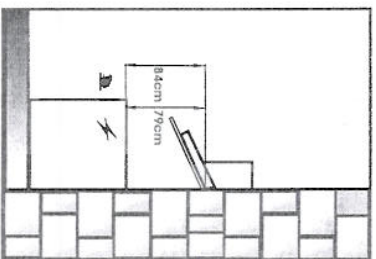
Figure 1



3240



3250



3230

Figure 5

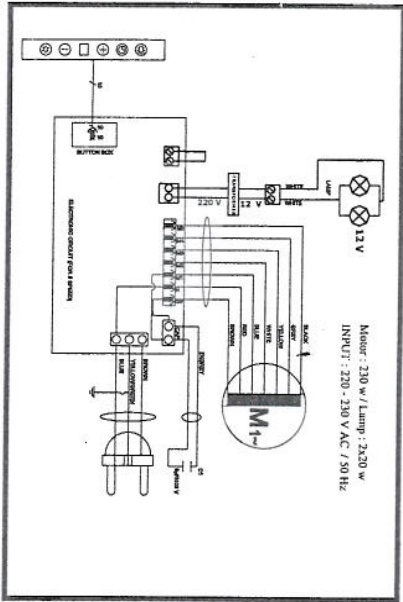


Figure 6(Electrical diagram of Extractor with Pushbutton)

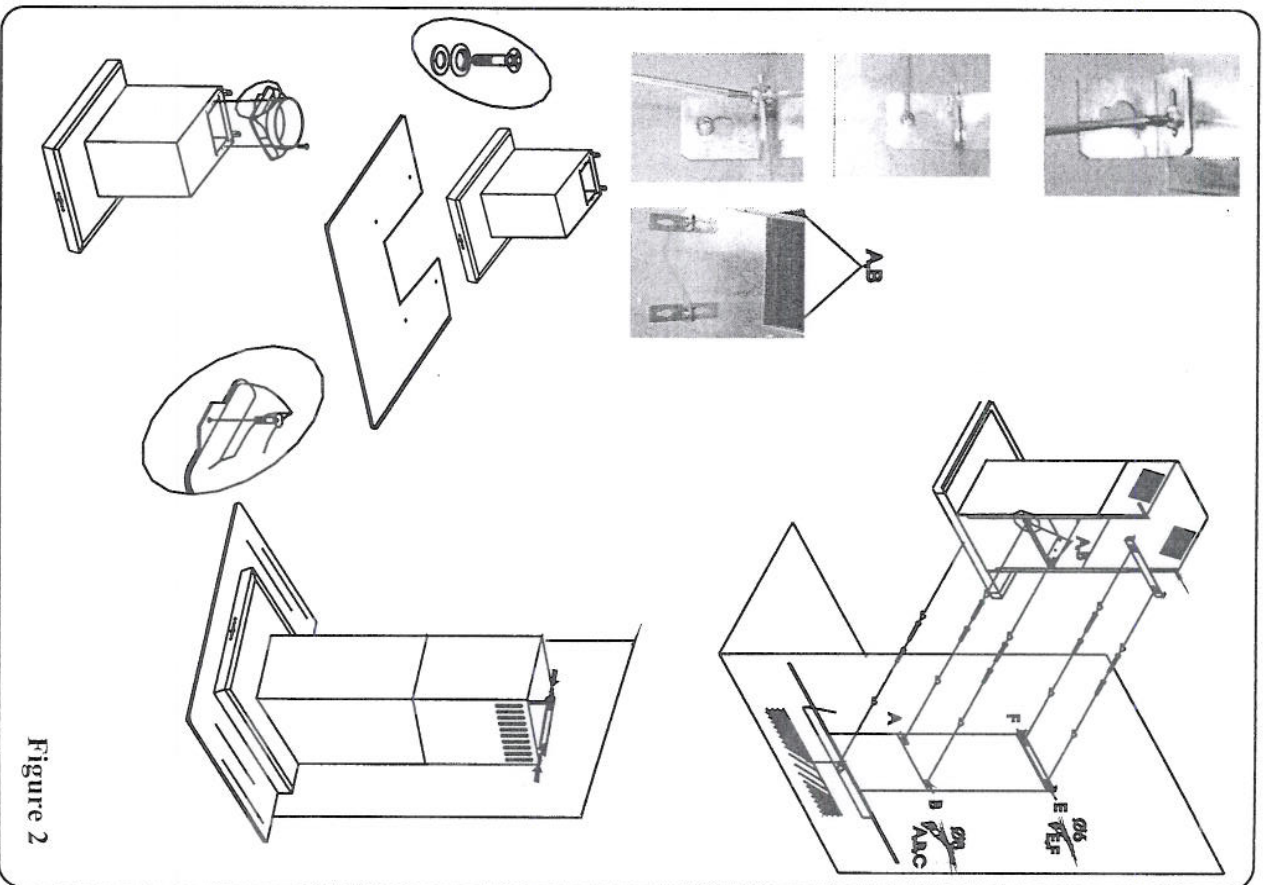


Figure 2

Installing and removing the metal filter

Removing the metal filter:

Pull the latch forward and the filter downwards.

Taking the filter out.

Push the filter upwards from the right side and uninstall.

Installing the filter:

Place the pins at the left side on its slot and push it downwards

attaching the filter pins at the right side on its slot. Close the pins through holding the filter upwards.

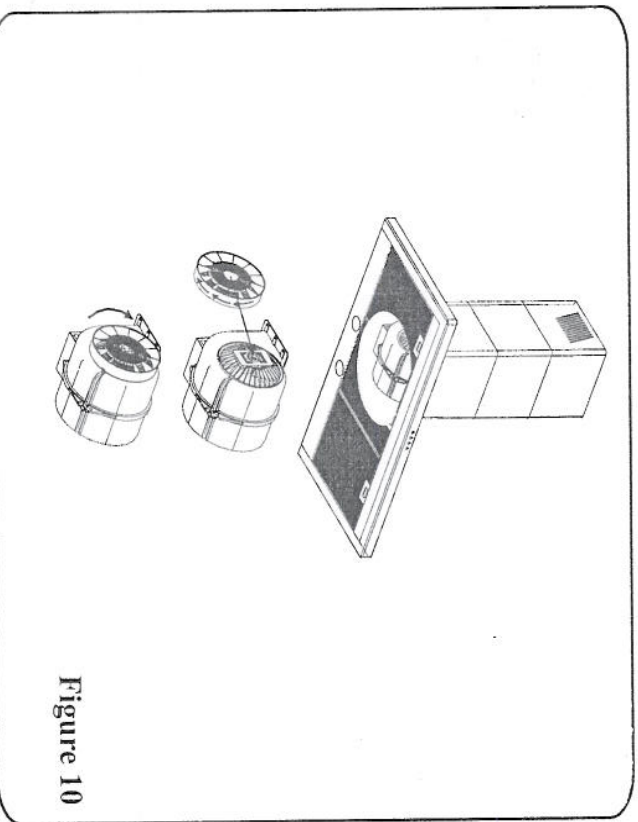
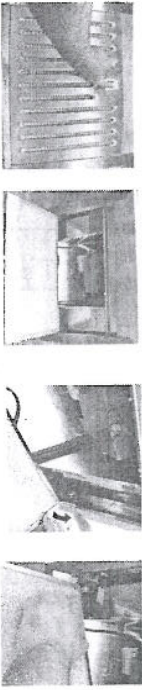


Figure 10

8

COOKER HOOD EXTRACTOR

INTRODUCTION

Dear Customer, Thank you for selecting this product. We ensure your satisfaction (To achieve best results, please carefully read this instruction manual).

REMARKS

- Please keep your purchase bill with the certificate of warranty in order to validate our warranty, and record your bill into the certificate of warranty. Otherwise, your Certificate of Warranty shall be null and void.
- In order to avoid any risk, have an electrician execute all the preparations regarding the installation of the product. Safety instructions should be read carefully to install the product and avoid any accident.
- Keep the instructions for use at an accessible place.

SAFETY INTRODUCTIONS

- Cooking extractor are produced for regular cooking and use at home. Using the product for other purposes may pose a risk of failure and the product shall not be covered by the warranty.
- All final wiring must be made by a qualified electrician. Installation by unauthorized persons may cause low performance operation and damage to the product.
- Exhaust outlet must not be connected to flue gas outlets discharging fumes produced by other devices.
- Where the device is used at the same time with the devices burning gas or other fuels, ventilating the room may be appropriate.

9

- Using the device at the same time with devices burning fuel other than electrical may damage their operation (because the unit consumes the environment air).
- Extractor must be at fixed at least 65 cm above electrical ovens, at least 75cm above the ovens burning gas or mixed fuel during installation.
- During Installation, electricity power cable must not be exposed to any compressing or crushing.
- Foods must not be flamed under the device.
- Do not leave oil in heat in a container on oven. Containers with oil in heat may be self-flammable.
- Ensure that the filters are changed on due time. Filters that have not been changed on due time may pose fire risk due to the accumulated oil.
- Air disposed by the device must not be discharged into a flue being used for disposing the fumes from burning gases or other fuels.

NOTE: *In case of any flaming, disconnect the extractor and cooking devices from power supply. Cover the flame. Never use water for extinguishing.*

INTRODUCTION OF DEVICE

- 1) Control Panel
- 2) Front Panel
- 3) Aluminium Cassette Oil Filter
- 4) Illumination Glass
- 5) External Chimney
- 6) Internal Chimney
- 7) Tempered Glass

Standard Accessories

- Assembly Materials
- Chimney Outlet Component with Return Preventive System (Fig. 3).

Optional Accessories

- Active carbon filter (Fig. 4-10)
Active carbon filter must be used for filtering the air in the ambient with no chimney and redelivering the air inside. Active carbon filter may be supplied from The authorized service agent or retailer. At first, the cassette filter is removed for the installation of active carbon filter. Carbon filter that is placed on motor covers is installed into its socket so that the medium catches fit. Active carbon filter is assembled by turning in the direction of arrow as shown in Fig. 4-10

FUNCTIONS OF DEVICE

Extractor is used in kitchens with or without chimneys. This product has Timer function. If you touch longer than 2 second, to one of control button of motor, the timing function will be started. After 15 minutes, motor system will stop itself automatically.

For use with chimney:

Air outlet is supplied by coupling a flexible pipe of 120 mm between the product and chimney. N-RV (No Return Valve) Return Prevention System prevents the gas or air ingress to return to the kitchen from the chimney.

Warning !!!

Extractor outlet must not be connected to any other air channels with other fumes.

For use without chimney(Recirculation mode):

Air is filtered by two carbon filters and returned into the ambient. Filtered air is redelivered to the ambient through or over the closet by a pipe with a diameter of 120 mm or N-RV chimney.

This method is used in kitchens with no chimney outlet or air vent in the place where the chimney outlet is situated.

INSTALLATION

UNPACKING THE DEVICE:

Check your device for any deformation. Defects due to transportation must immediately be reported to the transportation agent. Faults detected must also be informed to the seller.

Do not allow your children to play with the packing materials.

POSITION OF DEVICE:

Upon the completion of installation, the distance between the product and electrical ovens must be minimum 65cm and 75 cm between the product and ovens burning other fuels

ELECTRICAL CONNECTIONS OF DEVICE (Fig. 5)

Your device is equipped with an earthed, plugged power supply cable, which must be wired into an earthed socket easily accessible.

Plugged Cable Length: 1,50m

Electrical Scheme of your Extractor is shown in **Figure 6**

Electrical connections of your device must be installed by a qualified electrician.

3. INSTALLATION

ASSEMBLY OF CHIMNEY HOOD ONTO WALL

In order to hang the product onto hanging screws, there are 2 hanging parts in (L) shape. Screw those hanging parts on the product's motor cabin with M4x35 screw as shown in **Figure 2**.

A) DRILLING OF HANGING HOLES

- Open the holes on A, B, C points with Ø 8mm sized drill bit as shown in **Figure 2**. Open 2 holes on E, F points with Ø 6mm sized drill bit in order to screw of chimney assembly parts on place 15mm below of ceiling.

B) NAILING OF WALL PLUGS

- Nail the Ø 8mm sized wall plugs into A, B, C holes for hanging screws.

- Nail the Ø 6 mm sized wall plugs into E, F holes for chimney mounting parts.

C) SCREWING OF HANGING SCREWS

- Screw the hanging screws into Ø 8mm sized wall plugs in A, B holes. There must be 5mm distance between screw head and wall.

- Screw the chimney mounting parts into Ø 6mm sized wall plugs on E, F points which is provided with your product.

D) MOUNTING THE PRODUCT ONTO WALL

- Hang the product by key hole shaped- hanging parts through covering the body hanging screws A, B. Tighten up the screws by screwdriver. Fix the body onto wall by a screw through the (C) hole that placed underneath the body.

- Screw the plastic flue on the top of the body

- Attach the flexible aluminum pipe on the flue. Attach the other side of the flue on the exhaust hole

- Place the external chimney in the internal chimney. Mount the chimney onto the body.

1) Place the tempered glass delivered with your extractor over the lower case. Fix it with the screws supplied in 4 holes on the housing

Note: 1- Ensure that the socket is easily accessible to unplug in order to Disconnect the electricity supply in case of danger.

2- Hole dimensions to be bored for the assembly of extractor must comply with the dimensions given in

USAGE OF PRODUCT

Speed Selection

Extractor has three-speed motor and a multi-Positioned switch to command the motor. For best performance, we recommend you operate the unit at high speed in excessively smoky and smelly places. Motor starts as the slider switch is opened and stops as the slider switch is closed.

Extractor must be started a few minutes before cooking start and continued to operate after cooking finishes until odors and fumes are removed.

Illumination

Extractor has 2 lamps and a lamp switch to command the illumination. Lamp switch must be on to turn on the illumination.

Efficient Ventilation

For correct ventilation, windows opening outside must be kept closed. Doors and windows opening to other rooms may be kept open.

IMPORTANT NOTE

Pay attention when operating extractor simultaneously with devices running by using the ambient air with fuel (such as heaters operating with gas, diesel fuels, coal or firewood, geyser etc.) because it may affect burning since extractor discharges the air in the atmosphere to outside.

This advice does not apply to operations without chimney.

MAINTENANCE

Disconnect the device prior to maintenance (cut off its power supply by unplugging).

Aluminium Cassette Filter

Aluminium Cassette Filter holds the dusts in the air and oils. Metal filter must be washed in hot soapy water every month or if possible in the dishwasher (60°C).

Disassembling the Aluminium Cassette Filter

- Press on the spring clamps at the tip of cassette filter and disassemble
- Do not assemble before drying after cleaning

Carbon Filter

- Carbon filter holds the odors from the air.
- It must be replaced every 4-5 months under normal conditions.
- Carbon filter must not be washed. To replace the carbon filter, turn counterclockwise.

Attention

Non-Compliance with the rules on cleaning and replacing the filters may cause fire. Therefore, we strongly recommend you observe the following instructions.

Cleaning

Outer surfaces of your extractor must be wiped by a cloth wet with liquid detergent. Do not clean the unit with products containing corrosive substances.

Replacement of Lighting Components

- Disconnect the extractor.
- Remove the aluminium cassette filter. Dismantle the faulty bulb and replace with a new one of the same value

Extractor is not working		Check carbon filter(for the ones operating with carbon filter)(Carbon filters must be replaced every 3 months under normal conditions).							
Extractor lamp is not on		Check air outlet chimney(Air outlet chimney must be open)							
Air suction of extractor is low	X		X						
Extractor does not give to outside (in ambient with no chimney)	X								
		Check the bulbs(Bulbs must be sound)		X					
		Check aluminium filtre(Aluminium cassette filter must be washes once a month under normal conditions)			X				
		Check lamp switches(Lamp switch must be on position)				X			
		Check motor switches(Motor switch must be on position)					X		
		Check electrical connection(Mains voltage must be 220-240V. Extractor must be connected to earthed plug)						X	

Table 1

If Extractor is not working:

Before contacting the service:

Ensure that the device is plugged in and electrical fuse is sound. Do not do anything to cause damage to the product. Before contacting the service, check your extractor according to **Table 1**. If the problem persists, contact your Retailer or an authorized service agent.

Service and Spare Parts:

You may obtain The spare parts from your retailer or an authorized service agent. An authorized service number is included in the packing of product. Inform the product number and model written on the product label to request for a spare part when you contact the service or seller.