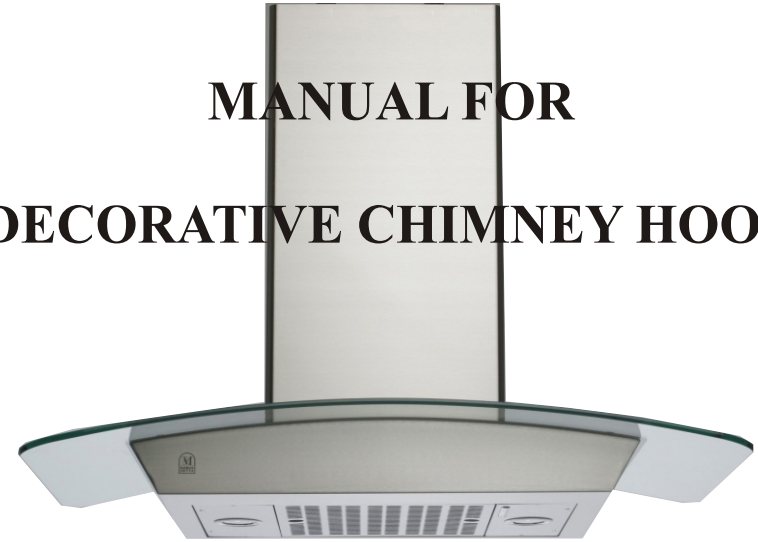
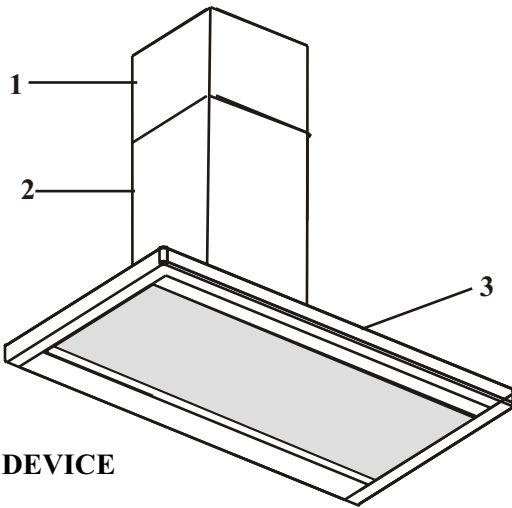
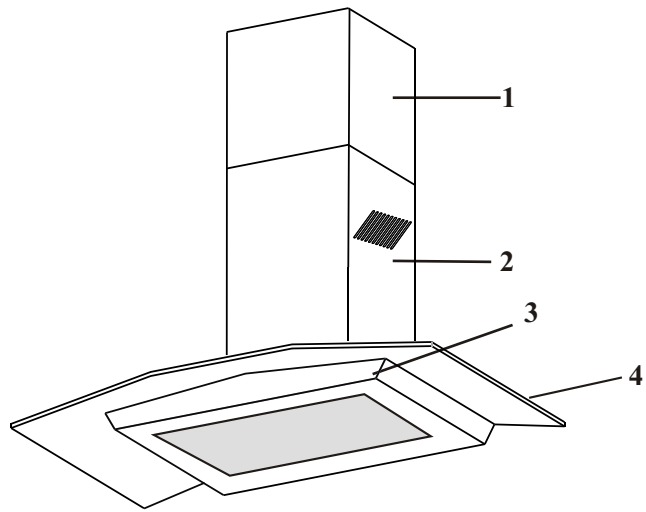


INSTRUCTIONS
MANUAL FOR
DECORATIVE CHIMNEY HOOD



MODEL

EN 60335-2-31



INTRODUCTION OF DEVICE

- 1) External Chimney
- 2) Internal Chimney
- 3) Front Panel
- 4) Tempered Glass

Figure 1

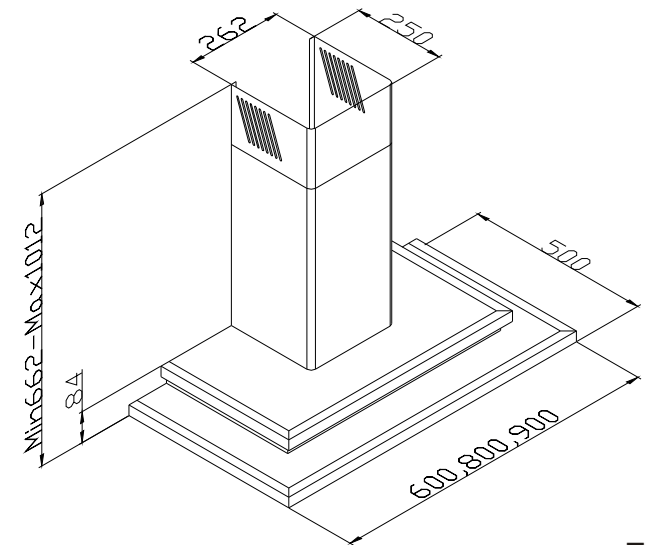
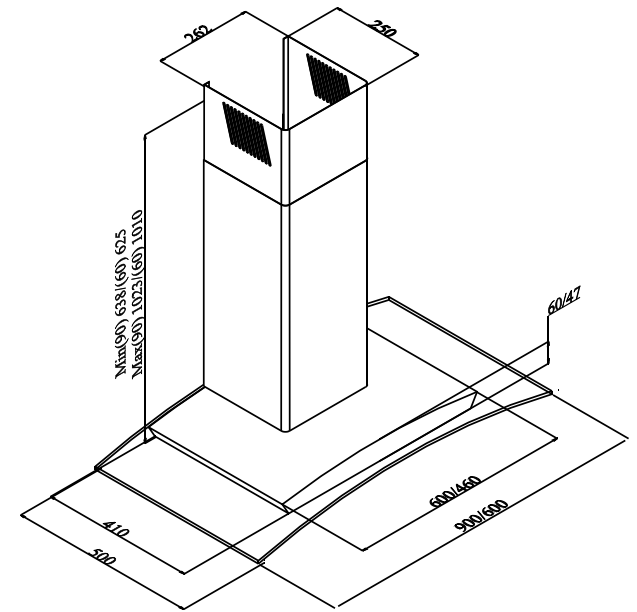


Figure 2

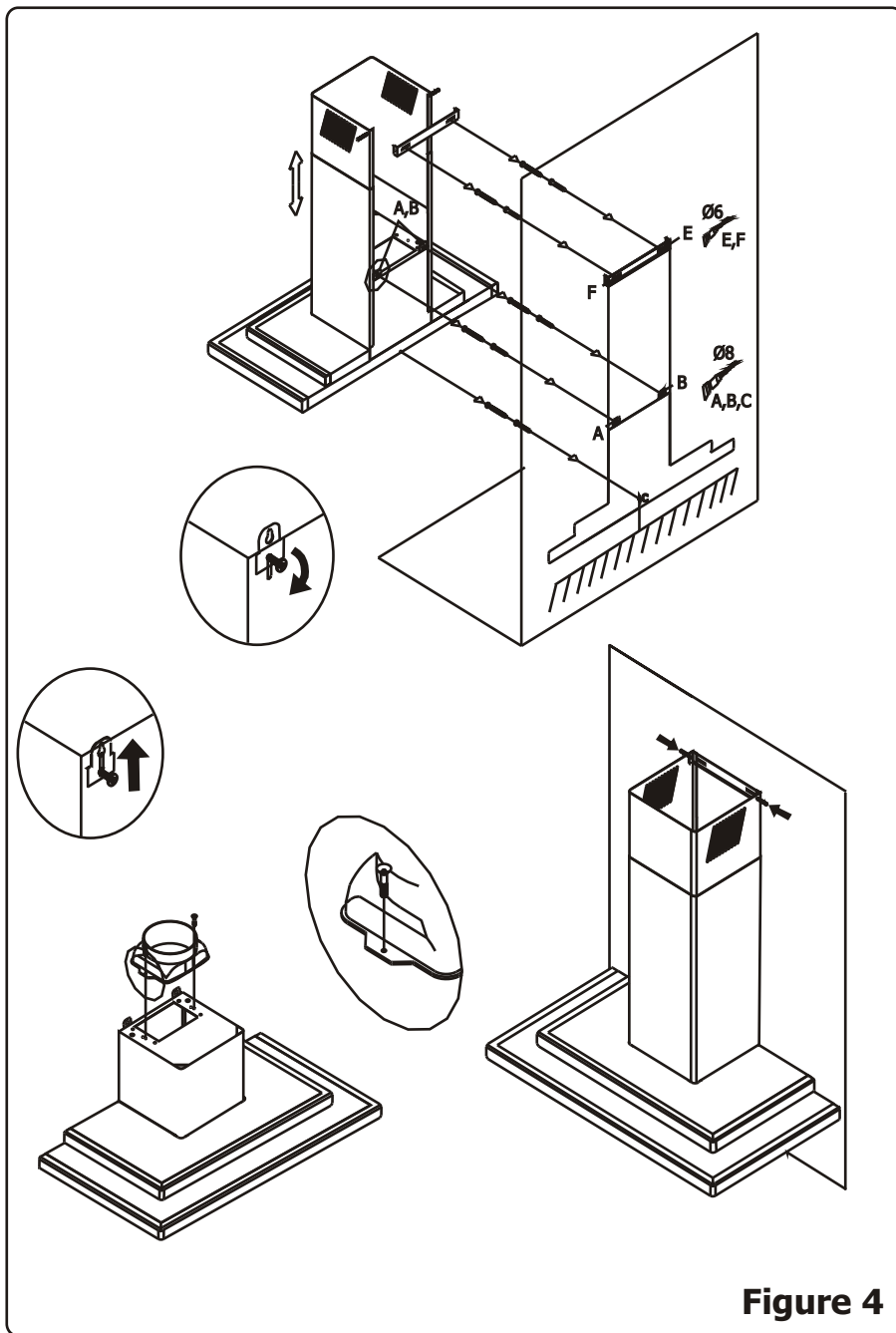


Figure 4

SAFETY INTRODUCTIONS

Cooking extractor are produced for regular cooking and use at home. Using the product for other purposes may pose a risk of failure and the product shall not be covered by the warranty.

All final wiring must be made by a qualified electrician. Installation by unauthorized persons may cause low performance operation and damage to the product.

Exhaust outlet must not be connected to flue gas outlets discharging fumes produced by other devices.

Where the device is used at the same time with the devices burning gas or other fuels, ventilating the room may be appropriate.

Using the device at the same time with devices burning fuel other than electrical may damage their operation (because the unit consumes the environment air).

During Installation, electricity power cable must not be exposed to any compressing or crushing.

Foods must not be flamed under the device.

Do not leave oil in heat in a container on oven. Containers with oil in heat may be self-flammable.

Ensure that the filters are changed on due time. Filters that have not been changed on due time may pose fire risk due to the accumulated oil.

Air disposed by the device must not be discharged into a flue being used for disposing the fumes from burning gases or other fuels.

INSTALLING THE PADDLE BOX ON THE WALL (Fig.3-4)

1. Hanger

2 Hanger on the back of extractor must be positioned to its places.

2. Boring the holes

Pull hangers outside, position and fix them by using M4 screws on it

a) Boring Support Holes:

Bore 3 holes With a drill of $\text{Ø}8$ mm on the wall so that the Extractor fits into the support holes the same as keyholes on back galvanized sheet Bore 2 hole with a drill of $\text{Ø}6$ mm to screw the chimney assembly sheet so that it is assembled 5cm below the ceiling

3) Fixing The Inserts:

a) Fix 3 inserts of $\text{Ø}8$ mm for the support hooks into the holes you bored

b) Fix 2 inserts of $\text{Ø}6$ mm for chimney assembly sheet into the hole you bored

4) Screwing The Hanger Hooks:

Screw the hanger hooks clockwise to the inserts of $\text{Ø}8$ mm you fixed on the wall (The distance between the wall and hanger hook must be 5mm) Screw the chimney assembly sheet to the inserts of $\text{Ø}6$ mm you fixed on the wall with the help of assembly screw delivered with your extractor. How to fix the inserts is shown in Figure 11.

5) Assemble exhaust plastic cover to its place on top of extractor by using 2 screws 3,5X9,5

6) Place the chimney inside the lower chimney (chimney with air outlet holes is the lower chimney). Slip chimneys on the extractor.

7) Insert the flexible aluminum pipe to NRV chimney outlet (plastic chimney mounted on extractor).

8) Hang the extractor to support hooks at rear holes.

9) Fix the extractor bottom by using a M5,5X45 screw from inside of cabinet as shown on

10) Connect the aluminum pipe to the chimney inlet on the wall.

11) Place the tempered glass delivered with your extractor over the lower case. Fix it with the screws supplied in 4 holes on the housing

12) Plug in the extractor and prepare for operation.

Note:1- Ensure that the socket is easily accessible to unplug in order to Disconnect the electricity supply in case of danger.

2- Hole dimensions to be bored for the assembly of extractor must comply with the dimensions given in

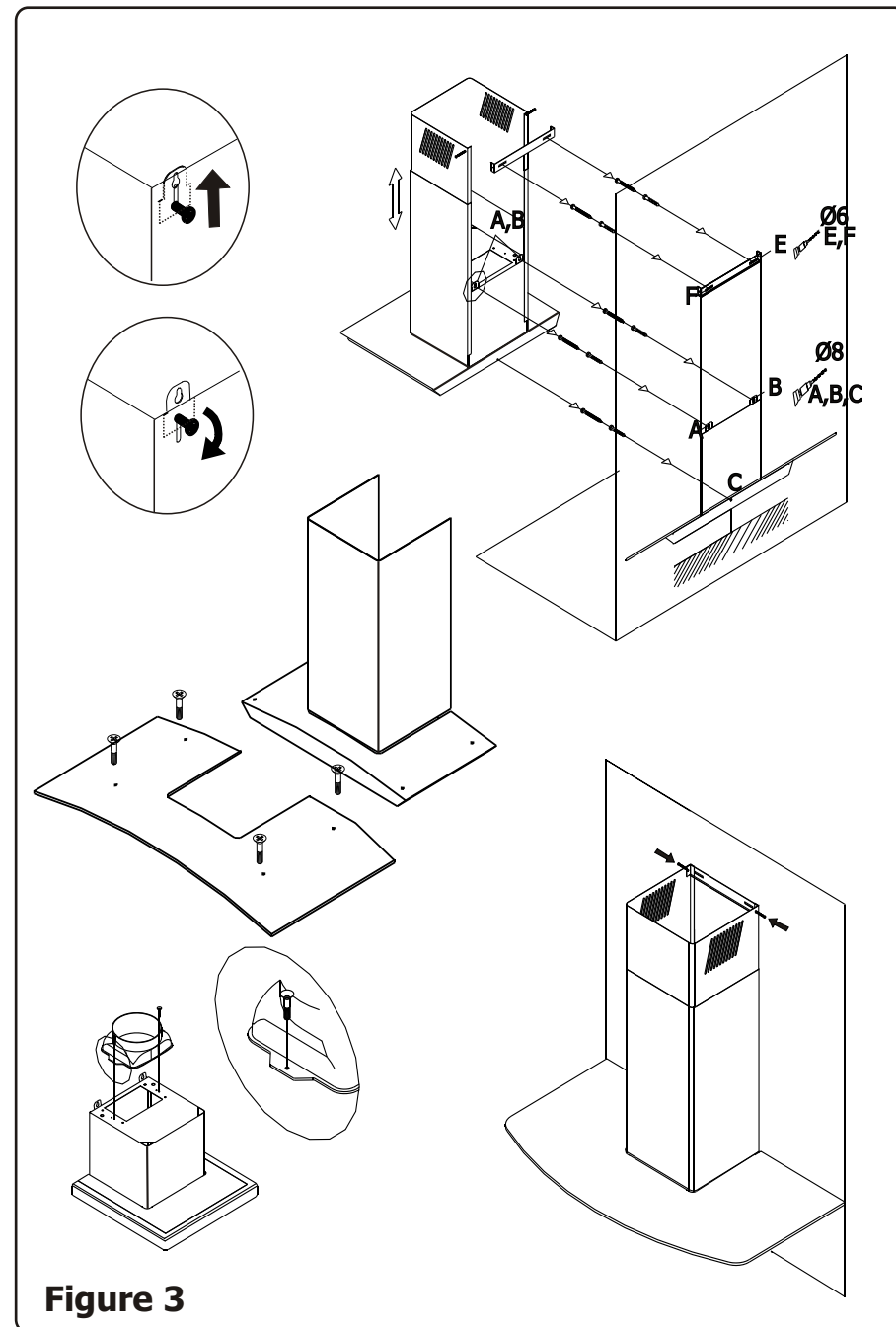


Figure 3